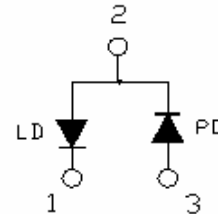
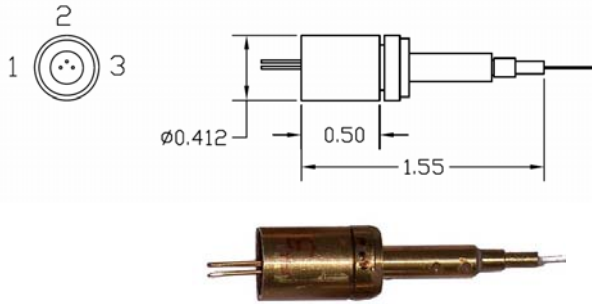


PDL-635-003

Description:

Pigtailed single-mode laser diode, 635 nm emission, 3 mW MAX output power, Single Mode Fiber.

Mechanical Drawing (dimensions in inches):



LD: Laser Diode PD: Photo-Diode

Specifications:

Optical Output Power	3 mW
Operating Voltage	2.7 - 4.5 V
Operating Current	50 mA (TYP)
Lasing Wavelength	635 ±10 nm
Fiber Type	SMF630
Fiber Core Diameter	~3.5 micron
Fiber Numerical Aperture	0.11 - 0.13
Fiber Output Connector	FC/PC
Fiber pigtail length	1 m
Operating Case Temperature	-10°C to 30°C

Notes:

WARNING!! Constant operation of the device for duration longer than 5 min normally requires heat-sinking of the device to maintain case temperature below 30°C.

WARNING!! Constant operation of the device for duration longer than 5 min at a case temperature over 30°C will result in early failure of the device and will void all warranty.

Limited Warranty:

Optical Fiber Systems Inc (OFSI) grants the warranty to the original purchaser that the products are free of manufacturing defects in materials and workmanship, and that the products perform according to the stated specifications for 90 days after product delivery. OFSI will, at its option, repair, replace or refund this product if it is found to be defective during the limited warranty period specified above. All repairs will be covered by this warranty for the remaining term of this warranty. Warranty repairs must be performed by OFS. The original bill of sale must be provided as proof of purchase and presented for warranty service. Warranty claims must be made within the limited warranty period specified above.

Disclaimer:

This laser product is designated solely as an OEM component to be incorporated into another end product. Therefore, it does not comply with the appropriate requirements of FDA 21CFR, section 1040.10 and 1040.11 for complete laser system.

Optical Fiber Systems Inc., 829 Turnpike Road, New Ipswich NH 03071
Tel: (603) 291-0345 Fax: (603) 291-0547 Email: info@opticalfibersystems.com